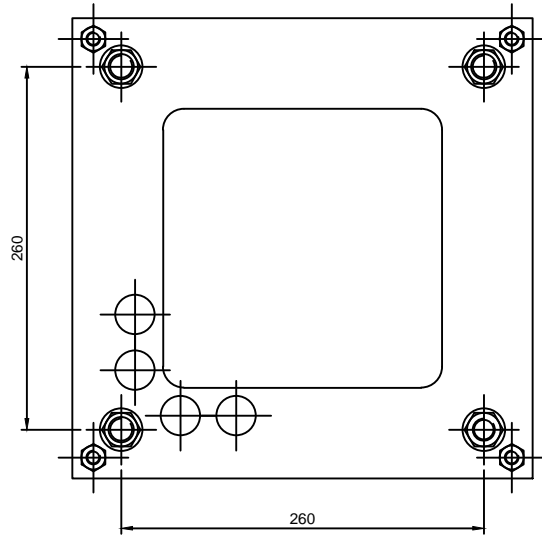
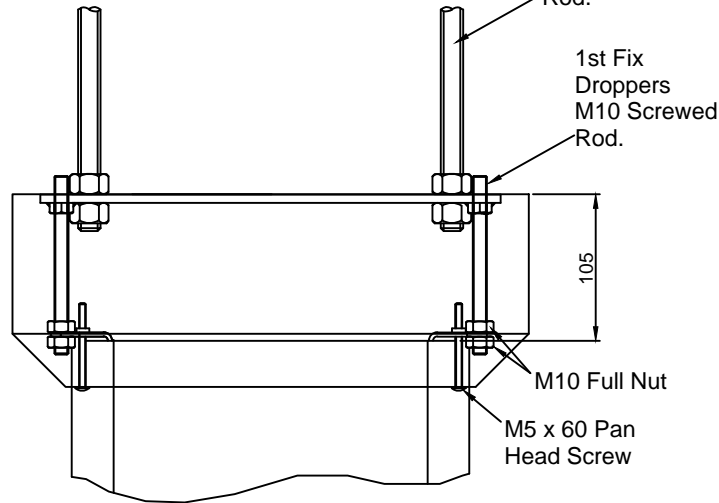


# Slab Fixing Centres



1st Fix  
Droppers  
M12 or M16 Screwed  
Rod.



1st Fix  
Droppers  
M10 Screwed  
Rod.

M10 Full Nut  
M5 x 60 Pan  
Head Screw

If In Doubt Ask										
Do Not Scale	Drawn by K.J.P.	Checked by	Approved by - date	Filename	Date 09/10/2013	Scale NTS	All Dims In mm Unless Otherwise Stated			
				<b>PRECISION UK Ltd</b> <small>CPX Technology Building, Pepper Road, Hazel Grove, Stockport, SK7 5BW, UK                  Tel: 00 44 (0) 161 487 2822 Fax: 00 44 (0) 161 487 2816                  Email: info@precisionuk.co.uk www.precisionuk.co.uk</small>		<b>Retractable Pendant Installation</b> RPE-INST-01			Revision 0	Sheet 1/1